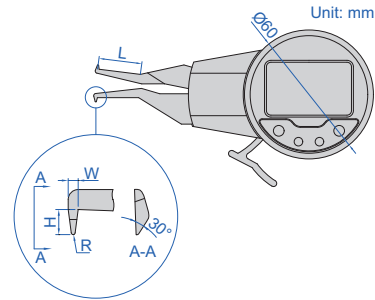


## DIGITAL INTERNAL CALIPER GAUGES

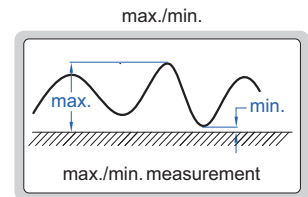
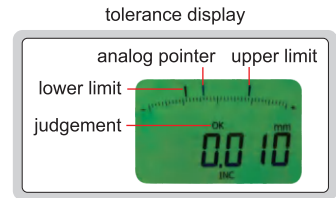
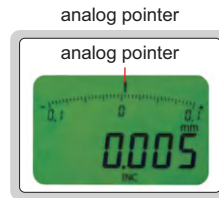
DATA  
OUTPUT



2121-15



- Resolution: 0.005mm/0.0002"
- Reading in digit and analog
- Display can be rotated by 170°
- Button function: tolerance Go and No-Go display, data preset, max./min. measurement, data holding, inch/metric conversion, absolute/incremental measurement
- CR2032 battery, automatic power off
- Data output
- Optional accessory:  
wireless transmitter code **7315-30** (receiver is needed) page 5,  
bluetooth transmitter code **7214-30** page 11,  
data output cable code **7302-30** page 20

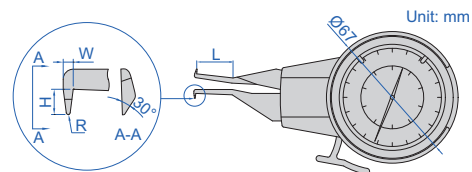


| Code    | Range            | Accuracy | Repeatability | L  | H   | W   | R    |
|---------|------------------|----------|---------------|----|-----|-----|------|
| 2121-15 | 5-15mm/0.2-0.6"  | ±0.03mm  | 0.01mm        | 20 | 2   | 1.5 | R0.3 |
| 2121-25 | 5-25mm/0.2-1.0"  | ±0.03mm  | 0.01mm        | 35 | 1.5 | 1.0 | R0.3 |
| 2121-31 | 10-30mm/0.4-1.2" | ±0.03mm  | 0.01mm        | 55 | 5.5 | 2.5 | R0.5 |
| 2121-41 | 20-40mm/0.8-1.6" | ±0.03mm  | 0.01mm        | 80 | 6.0 | 3.0 | R0.5 |
| 2121-51 | 30-50mm/1.2-2.0" | ±0.03mm  | 0.01mm        | 80 | 8.0 | 3.0 | R0.5 |
| 2121-61 | 40-60mm/1.6-2.4" | ±0.03mm  | 0.01mm        | 80 | 8.0 | 3.0 | R0.5 |

## INTERNAL DIAL CALIPER GAUGES

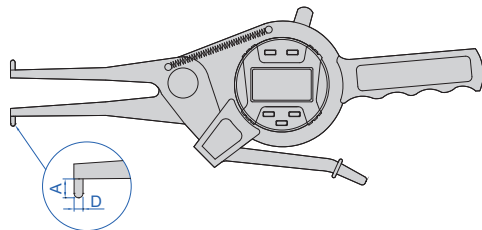


2222-15



| Code     | Range   | Graduation | Accuracy | L  | H   | W   | R    |
|----------|---------|------------|----------|----|-----|-----|------|
| 2222-15  | 5-15mm  | 0.01mm     | ±0.03mm  | 20 | 2   | 1.5 | R0.3 |
| 2222-25  | 5-25mm  | 0.01mm     | ±0.03mm  | 35 | 1.5 | 1.0 | R0.3 |
| 2222-301 | 10-30mm | 0.01mm     | ±0.03mm  | 55 | 5.5 | 2.5 | R0.5 |
| 2222-401 | 20-40mm | 0.01mm     | ±0.03mm  | 80 | 6.0 | 3.0 | R0.5 |
| 2222-501 | 30-50mm | 0.01mm     | ±0.03mm  | 80 | 8.0 | 3.0 | R0.5 |
| 2222-60  | 40-60mm | 0.01mm     | ±0.03mm  | 80 | 8.0 | 3.0 | R0.5 |

DATA OUTPUT



- Carbide measuring tips
- Reading in digit and analog
- With transmission button and signal light
- Display can be rotated by 320°
- Button function: on/off, zero, tolerance Go and No-Go display, data preset, measuring direction change, max./min./TIR measurement, inch/metric conversion, data output, absolute/incremental measurement
- CR2032 battery, automatic power off (time is adjustable)
- Data output
- Optional accessory: wireless transmitter code **7315-50M** (receiver is needed) page 6, bluetooth transmitter code **7214-50M** page 12, data output cable code **7302-50M** page 21

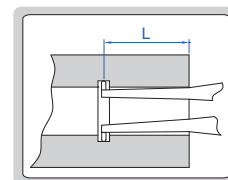
## DIGITAL INTERNAL CALIPER GAUGES



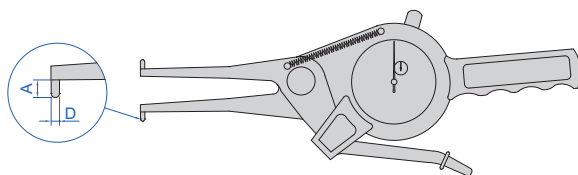
2151-35

| Code      | Range              | Resolution     | Accuracy | L    | A  | D    |
|-----------|--------------------|----------------|----------|------|----|------|
| 2151-35   | 15-35mm/0.6-1.4"   | 0.01mm/0.0005" | ±0.04mm  | <50  | 3  | Ø3   |
| 2151-AL35 | 15-35mm/0.6-1.4"   | 0.01mm/0.0005" | ±0.04mm  | <200 | 3  | Ø3   |
| 2151-55   | 35-55mm/1.4-2.2"   | 0.01mm/0.0005" | ±0.04mm  | <80  | 6  | Ø3   |
| 2151-AL55 | 35-55mm/1.4-2.2"   | 0.01mm/0.0005" | ±0.04mm  | <250 | 8  | Ø3   |
| 2151-75   | 55-75mm/2.2-3"     | 0.01mm/0.0005" | ±0.04mm  | <90  | 8  | Ø3   |
| 2151-AL75 | 55-75mm/2.2-3"     | 0.01mm/0.0005" | ±0.04mm  | <250 | 8  | Ø3   |
| 2151-95   | 75-95mm/3-3.8"     | 0.01mm/0.0005" | ±0.04mm  | <100 | 8  | Ø3   |
| 2151-115  | 95-115mm/3.8-4.6"  | 0.01mm/0.0005" | ±0.04mm  | <120 | 10 | Ø3.2 |
| 2151-135  | 115-135mm/4.6-5.4" | 0.01mm/0.0005" | ±0.04mm  | <120 | 10 | Ø3.2 |

(mm)



## INTERNAL DIAL CALIPER GAUGES



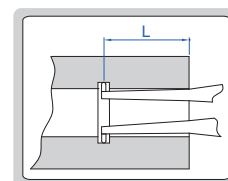
- Carbide measuring tips



2321-35

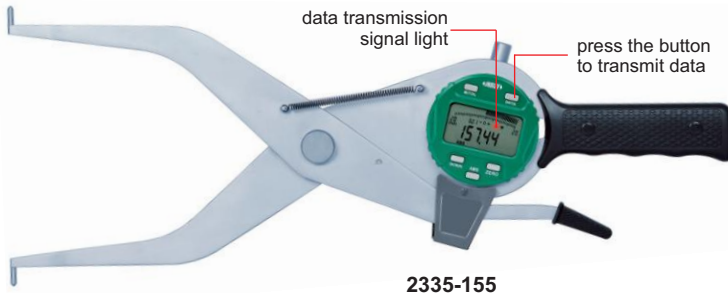
| Code      | Range     | Graduation | Accuracy | L    | A  | D    |
|-----------|-----------|------------|----------|------|----|------|
| 2321-35   | 15-35mm   | 0.01mm     | ±0.04mm  | <50  | 3  | Ø3   |
| 2321-AL35 | 15-35mm   | 0.01mm     | ±0.04mm  | <200 | 3  | Ø3   |
| 2321-55   | 35-55mm   | 0.01mm     | ±0.04mm  | <80  | 6  | Ø3   |
| 2321-AL55 | 35-55mm   | 0.01mm     | ±0.04mm  | <250 | 8  | Ø3   |
| 2321-75   | 55-75mm   | 0.01mm     | ±0.04mm  | <90  | 8  | Ø3   |
| 2321-AL75 | 55-75mm   | 0.01mm     | ±0.04mm  | <250 | 8  | Ø3   |
| 2321-95   | 75-95mm   | 0.01mm     | ±0.04mm  | <100 | 8  | Ø3   |
| 2321-115  | 95-115mm  | 0.01mm     | ±0.04mm  | <120 | 10 | Ø3.2 |
| 2321-135  | 115-135mm | 0.01mm     | ±0.04mm  | <120 | 10 | Ø3.2 |

(mm)

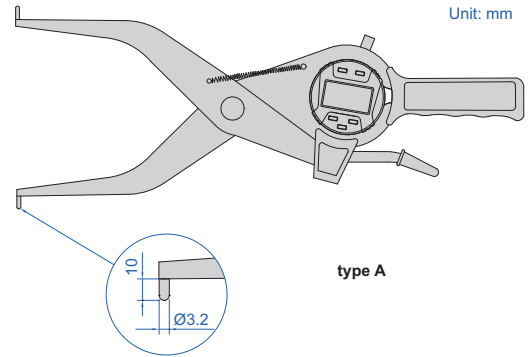


# LARGE RANGE INTERNAL DIGITAL CALIPER GAUGES

DATA OUTPUT

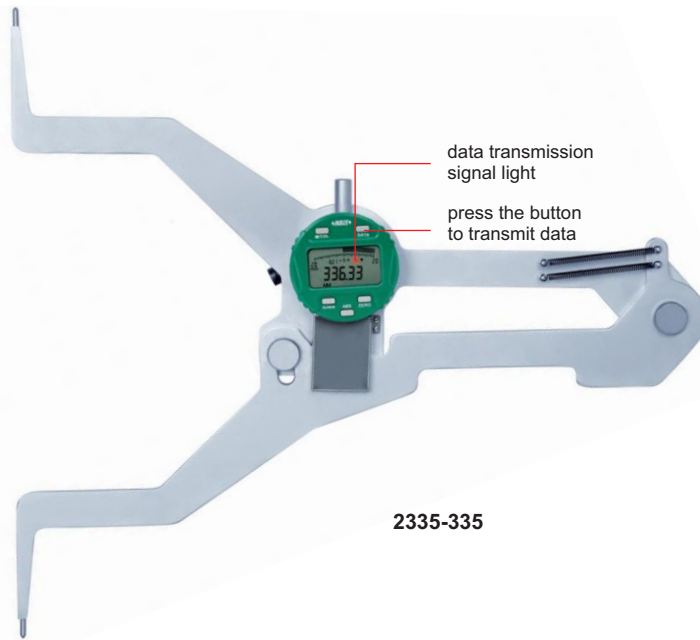


2335-155

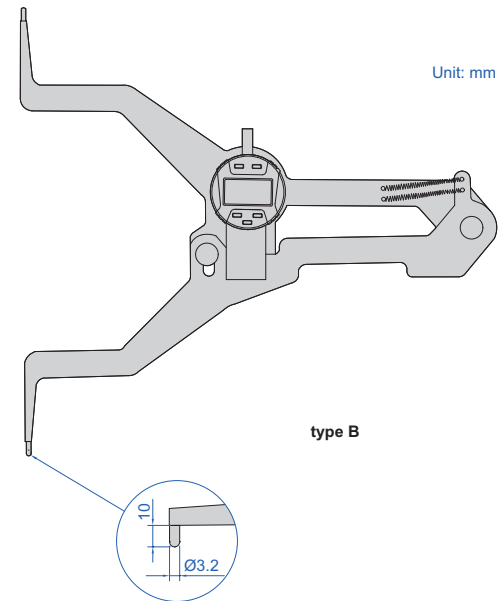


type A

Unit: mm



2335-335

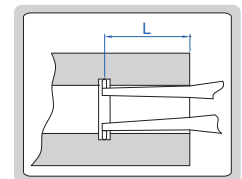


type B

Unit: mm

- Carbide measuring tips
- Reading in digit and analog
- With transmission button and signal light
- Display can be rotated by 320°
- Button function: on/off, zero, tolerance Go and No-Go display, data preset, measuring direction change, max./min./TIR measurement, inch/metric conversion, data output, absolute/incremental measurement
- CR2032 battery, automatic power off (time is adjustable)
- Data output
- Optional accessory: wireless transmitter code **7315-50M** (receiver is needed) page 6, bluetooth transmitter code **7214-50M** page 12, data output cable code **7302-50M** page 21

| Code     | Range                  | Resolution     | Accuracy | Type | L      |
|----------|------------------------|----------------|----------|------|--------|
| 2335-155 | 135-155mm/5.32-6.10"   | 0.01mm/0.0005" | ±0.04mm  | A    | <200mm |
| 2335-175 | 155-175mm/6.10-6.89"   | 0.01mm/0.0005" | ±0.04mm  | A    | <200mm |
| 2335-195 | 175-195mm/6.88-7.68"   | 0.01mm/0.0005" | ±0.04mm  | A    | <200mm |
| 2335-215 | 195-215mm/7.68-8.46"   | 0.01mm/0.0005" | ±0.04mm  | A    | <200mm |
| 2335-235 | 215-235mm/8.46-9.25"   | 0.01mm/0.0005" | ±0.04mm  | A    | <200mm |
| 2335-255 | 235-255mm/9.25-10.04"  | 0.01mm/0.0005" | ±0.04mm  | A    | <200mm |
| 2335-275 | 255-275mm/10.04-10.83" | 0.01mm/0.0005" | ±0.04mm  | A    | <200mm |
| 2335-295 | 275-295mm/10.83-11.61" | 0.01mm/0.0005" | ±0.04mm  | A    | <200mm |
| 2335-315 | 295-315mm/11.61-12.40" | 0.01mm/0.0005" | ±0.04mm  | A    | <200mm |
| 2335-335 | 315-335mm/12.40-13.19" | 0.01mm/0.0005" | ±0.04mm  | B    | <200mm |
| 2335-355 | 335-355mm/13.19-13.98" | 0.01mm/0.0005" | ±0.04mm  | B    | <200mm |
| 2335-375 | 355-375mm/13.98-14.76" | 0.01mm/0.0005" | ±0.04mm  | B    | <200mm |

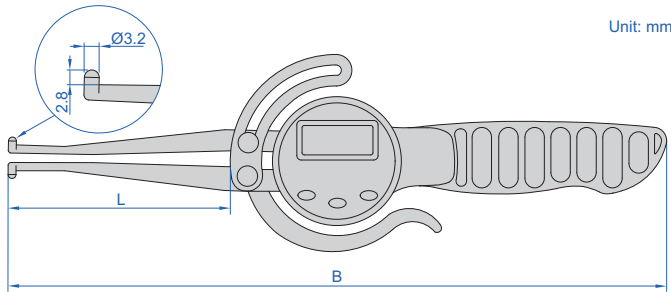
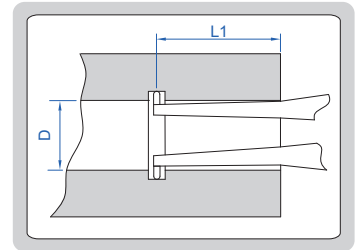


## DIGITAL INTERNAL CALIPER GAUGES (ECONOMIC TYPE)



2711-165

sizes to be measured



Unit: mm

- Button function: on/off, zero, mm/inch, data hold
- Battery CR2032, automatic power off

| Code 2711-165 |     | Code 2711-216 |      |
|---------------|-----|---------------|------|
| D             | L1  | D             | L1   |
| Ø13           | <42 | Ø13           | <50  |
| Ø15           | <45 | Ø15           | <55  |
| Ø17           | <50 | Ø17           | <60  |
| Ø20           | <60 | Ø20           | <65  |
| Ø25           | <75 | Ø25           | <75  |
| Ø27           | <80 | Ø30           | <95  |
| Ø29~165       | <85 | Ø35~216       | <160 |

| Code     | Range               | Resolution  | Accuracy | Repeatability | L   | B   |
|----------|---------------------|-------------|----------|---------------|-----|-----|
| 2711-165 | 12.7-165mm/0.5-6.5" | 0.1mm/0.01" | ±0.3mm   | 0.2mm         | 85  | 252 |
| 2711-216 | 12.7-216mm/0.5-8.5" | 0.1mm/0.01" | ±0.3mm   | 0.2mm         | 160 | 327 |

### DATA OUTPUT

## DIGITAL EXTERNAL CALIPER GAUGES

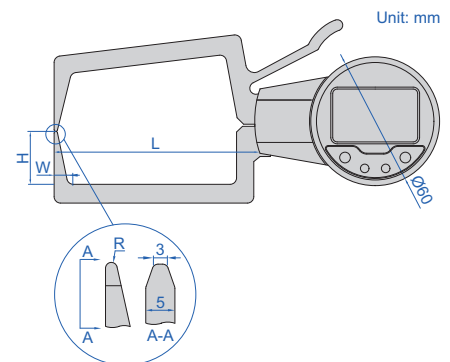
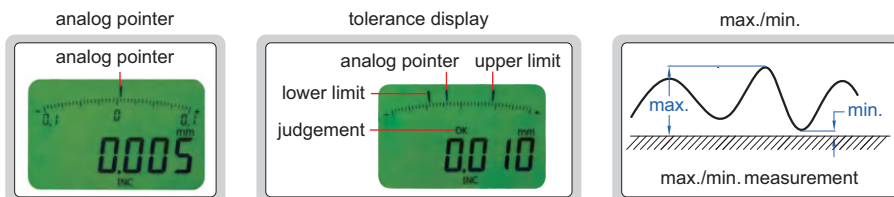
11

- Resolution: 0.005mm/0.0002"
- Reading in digit and analog
- Display can be rotated by 170°
- Button function: tolerance Go and No-Go display, data preset, max./min. measurement, data holding, inch/metric conversion, absolute/incremental measurement
- CR2032 battery, automatic power off
- Data output
- Optional accessory: wireless transmitter code **7315-30** (receiver is needed) page 5, bluetooth transmitter code **7214-30** page 11, data output cable code **7302-30** page 20



2131-21

Unit: mm



| Code    | Range            | Accuracy | Repeatability | L    | H    | W     | R      |
|---------|------------------|----------|---------------|------|------|-------|--------|
| 2131-21 | 0-20mm/0-0.8"    | ±0.03mm  | 0.01mm        | 80mm | 25mm | 6.5mm | R0.5mm |
| 2131-31 | 10-30mm/0.4-1.2" | ±0.03mm  | 0.01mm        | 80mm | 25mm | 6.5mm | R0.5mm |
| 2131-41 | 20-40mm/0.8-1.6" | ±0.03mm  | 0.01mm        | 80mm | 25mm | 6.5mm | R0.5mm |
| 2131-51 | 30-50mm/1.2-2.0" | ±0.03mm  | 0.01mm        | 80mm | 25mm | 6.5mm | R0.5mm |
| 2131-61 | 40-60mm/1.6-2.4" | ±0.03mm  | 0.01mm        | 80mm | 25mm | 6.5mm | R0.5mm |